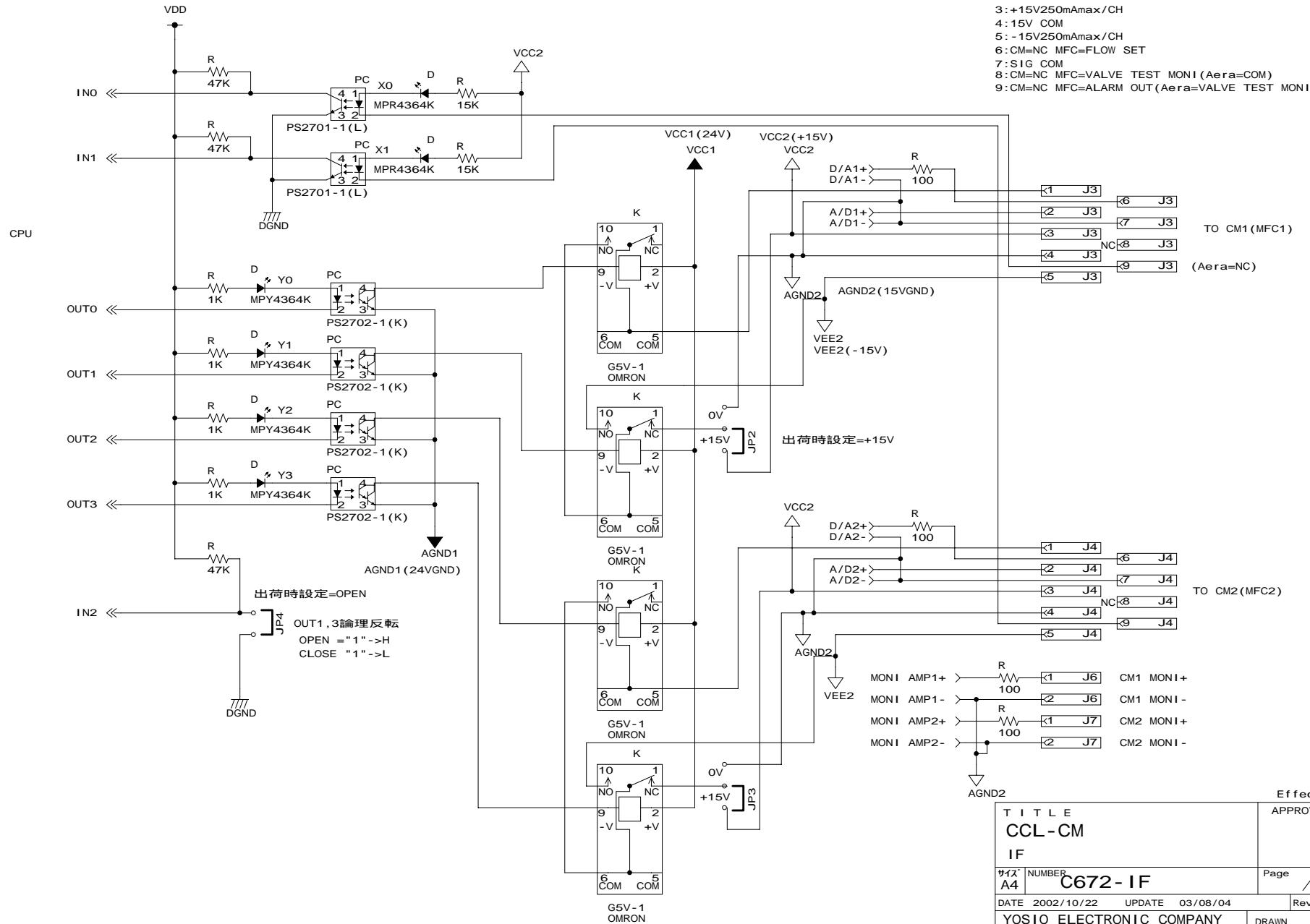


VCC1<- ISO->VDD, VCC2, VEE2
AGND1<- ISO->DGND=AGND2

CCL - MFCとI/O完全互換
627B(MKS)/SEC-440J(STEC)

- 1:CM=NC MFC=VALVE ON/OFF
- 2:CM=PresMONI MFC=FLOW MONI
- 3:+15V250mAmax/CH
- 4:15V COM
- 5:-15V250mAmax/CH
- 6:CM=NC MFC=FLOW SET
- 7:SIG COM
- 8:CM=NC MFC=VALVE TEST MONI (Aera=COM)
- 9:CM=NC MFC=ALARM OUT (Aera=VALVE TEST MONI)



出荷時設定=OPEN
OUT1,3論理反転
OPEN = "1" ->H
CLOSE "1" ->L

出荷時設定=+15V

Effect2.0

TITLE CCL-CM		APPROVED
IF		
サイズ A4	NUMBER C672-IF	Page /
DATE 2002/10/22	UPDATE 03/08/04	Rev. 01
YOSIO ELECTRONIC COMPANY HIGASHI KURUME-SHI, TOKYO, JAPAN Tel. 0424-71-2587 Fax. 0424-71-2588		DRAWN H. MIURA